

AMERICAN RANGE®

A  Company

Project _____

Item # _____

Quantity _____

72" RESTAURANT RANGES

GAS TYPE: NATURAL LP



- | | | |
|------------------------------------|-------------------------------------|------------------------------------|
| <input type="checkbox"/> AR-12 | <input type="checkbox"/> AR-12G-10B | <input type="checkbox"/> AR-24G-8B |
| <input type="checkbox"/> AR-36G-6B | <input type="checkbox"/> AR-48G-4B | <input type="checkbox"/> AR-60G-2B |
| <input type="checkbox"/> AR-72G | | |

STANDARD FEATURES

- Commercial gas range 72" wide and 32 1/2" depth.
- Cooking height 36".
- Stainless steel sides, front and 6" deep front landing ledge.
- Adjustable steel legs (casters optional).
- Choose: 6" high stainless-steel stub back, high riser or high riser with shelf at no charge.
- Two year limited warranty, parts and labor.
- Base options: Standard, convection, innovation or storage base.

OPEN BURNERS

- 12" x 12" cast-iron top grates.
- 32,000 BTU/hr lift-off open burners.
- Removable full width drip pan under burner.

STANDARD OVEN *(Two Standard 26 1/2" Ovens)*

- Steel oven burner rated at 35,000 BTU/hr.
- Oven dimensions: 26 1/2"W x 22 1/2"D x 13 1/2"H.
- Thermostat ranging from 250°F to 500°F (121°C to 260°C).
- Oven Door: Spring assisted, counterweight door.
- Two chrome plated oven racks (additional racks optional).
- Two fixed rack positions.
- Porcelain enamel oven interior for easy cleaning.
- 100% safety gas shut off.

CONVECTION OVEN *(In place of standard oven)*

- Steel oven burner rated at 30,000 BTU/hr.
- Convection oven fan improves heat transfer for a faster cook time.
- Thermostat ranging from 250°F to 500°F (121°C to 260°C).
- Two chrome plated oven racks (additional racks optional).
- Chrome rack guides with five tray positions.

INNOVECTION® OVEN *(In place of standard oven)*

- Steel oven burner rated at 30,000 BTU/hr.
- Thermostat ranging from 250°F to 500°F (121°C to 260°C).
- Two chrome plated oven racks (additional racks optional).
- Two fixed rack positions.
- The low speed blower motor circulates heat to provide a uniform heating pattern.

GRIDDLES

- 1" thick steel griddle plate.
- 3" wide grease collector.
- One burner every 12", rated at 20,000 BTU/hr.
- Manual control valve for each burner. (Thermostatic control optional).

AVAILABLE OPTIONS

- Swivel Casters (set of four – two with front brakes).
- Storage Cabinet Base. *(In place of standard oven).*
- Thermostatic Control Griddle.



Model AR-36G-6B-NN

Shown with optional casters.

DESCRIPTION

American Range, restaurant range size 72" x 32-1/2" x 56"
Stainless steel front, sides, backriser, shelf and 6" adjustable legs. Removable full width drip pan. Choose 32,000 BTU/hr. open burners with no-clog lift-off burner heads or 20,000 BTU/12" section griddle or a combo burner griddle. Griddle comes standard on left. Heavy-duty cast iron grates, 12" x 12". Burner knobs are cool to the touch, high temperature material. Two ovens: 35,000 BTU/hr. standard oven, 30,000 BTU/hr. for convection or innovation with porcelain interior and inside door panel, oven interior measures 26-1/2"W x 22-1/2"D x 13-1/2"H. Oven thermostat adjusts from 250°F to 500°F. All ovens supplied with two racks. Oven door with a spring assisted, counterweight mechanism requiring no adjustment. Rear gas connection and pressure regulator.



DESIGNED & BUILT IN USA
PROFESSIONAL COOKING EQUIPMENT

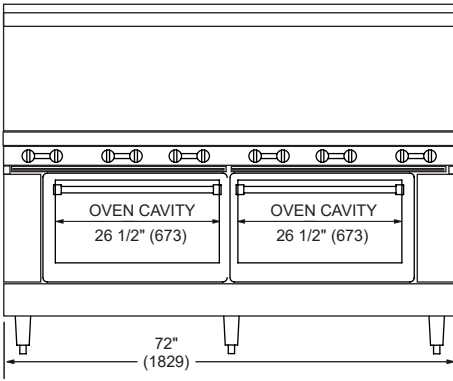
A70172 RevE 11292023

AMERICAN RANGE®

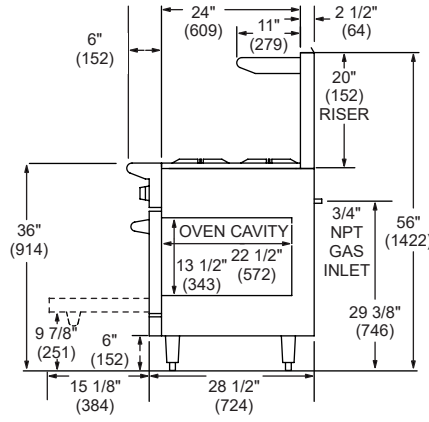
A  Company

13592 Desmond St Pacoima CA 91331
T. 818.897.0808 Toll Free: 888.753.9898
www.AmericanRange.com

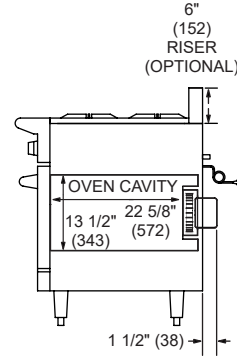
72" RESTAURANT RANGES with two 26 1/2" ovens



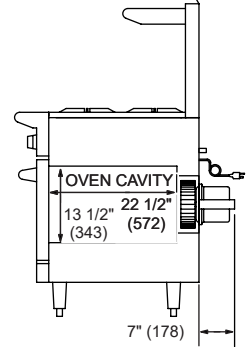
Front Oven Base



Side Standard Oven Base



Side Innovection® Oven



Side Convection Oven

TOP	MODEL	BTU	(KW)	BURNERS	GRIDDLE SIZE	Shipping Weight*	
						LBS	(KG)
	AR-12	454,000	(133)	12	N/A	810	(367)
	AR-12-NN	444,000	(131)	12	N/A	978	(444)
	AR-12-CC	444,000	(131)	12	N/A	956	(434)
	AR-12-DSB	384,000	(113)	12	N/A	670	(290)
	AR-24G-8B	366,000	(108)	8	24" (610 MM)	840	(381)
	AR-24G-8B-NN	420,000	(124)	8	24" (610 MM)	1008	(457)
	AR-24G-8B-CC	420,000	(124)	8	24" (610 MM)	986	(447)
	AR-24G-8B-DSB	296,000	(87)	8	24" (610 MM)	700	(318)
	AR-36G-6B	322,000	(95)	6	36" (914 MM)	855	(388)
	AR-36G-6B-NN	312,000	(92)	6	36" (914 MM)	1023	(464)
	AR-36G-6B-CC	312,000	(92)	6	36" (914 MM)	1001	(454)
	AR-36G-6B-DSB	252,000	(74)	6	36" (914 MM)	715	(324)
	AR-48G-4B	278,000	(82)	4	48" (1219 MM)	870	(395)
	AR-48G-4B-NN	268,000	(79)	4	48" (1219 MM)	1038	(471)
	AR-48G-4B-CC	268,000	(79)	4	48" (1219 MM)	1016	(461)
	AR-48G-4B-DSB	208,000	(61)	4	48" (1219 MM)	730	(331)
	AR-72G	190,000	(56)	N/A	72" (1524 MM)	900	(408)
	AR-72G-NN	180,000	(53)	N/A	72" (1524 MM)	1068	(484)
	AR-72G-CC	180,000	(53)	N/A	72" (1524 MM)	1046	(474)
	AR-72G-DSB	120,000	(35)	N/A	72" (1524 MM)	760	(345)
	With (2) Standard Ovens Only						
	AR-60G-2B	234,000	(69)	2	72" (1524 MM)	885	(401)

"C" = Convection Oven, "NV" = Innovection Oven, "SB" = Storage Base, "G" = Manual Griddle Top. Griddle on the left, storage base on the right.

Combo base options available – choose standard, convection or innovection ovens or storage base, contact the factory.

Griddle comes standard on the left. Special order griddle on the right.

CONVECTION OVEN ELECTRICAL		
VOLTAGE	PHASE	AMPS
120	1	4

INNOVECTION OVEN ELECTRICAL		
VOLTAGE	PHASE	AMPS
120	1	1

MANIFOLD PRESSURE		
NATURAL GAS	PROPANE GAS	MANIFOLD SIZE
5.0" W.C.	10.0" W.C.	3/4" (19MM)

NMFCODE: 25970-2 Class: 85

*Shipping weight includes packaging and is approximate.

15 amps three prong cord provided

DESIGNED & BUILT IN USA
PROFESSIONAL COOKING EQUIPMENT



A70172 RevE 11292023

AMERICAN RANGE®

A **hatco** Company

13592 Desmond St Pacoima CA 91331
T. 818.897.0808 Toll Free: 888.753.9898
www.AmericanRange.com