

Humanized technology comes alive.



Viva

zummo



NEW

Viva

by Zummo

A new concept in citrus juicing has arrived. An innovative proposal that combines design with the latest technology. A winner in terms of performance, style and space.





- Restaurants
- Bars
- Cafés
- Hotels
- Ice cream parlours
- Bakeries
- Cocktail Bars
- Fast Good Restaurants
- Cevicherías
- Catering

Viva is perfect for all businesses that want to stand out for their design and innovation.

Its versatility and exceptional performance make it the ideal choice to meet the needs of any customer. From high-end restaurants to small cafés.

Latte	\$3.00	Chocolate	\$3.90
Cappuccino	\$3.50	Strawberry	\$4.00
Long Black	\$3.00	Lime	\$3.50
Short Black	\$2.50	Caramel	\$3.50
Mocha	\$4.50	Banana	\$4.50
		Butterscotch	\$4.90
		Mango	\$4.50
HOT CHOCOLATE			
Normal	\$3.50	JUICE	
Double	\$4.50	Orange	\$3.30
Mug extra	\$0.50	Apple	\$3.50
		Pineapple	\$3.90





Juices, recipes, cocktails and much more

With Viva you will have freshly squeezed citrus fruits for all your preparations. Gain variety and surprise your current and future customers.





Two digital modes of use

SELECT

Select Mode

Define the number of fruits you want to squeeze per juice and Viva will work automatically.

▷/||

Manual mode

Control the juicing yourself using the play/pause button.

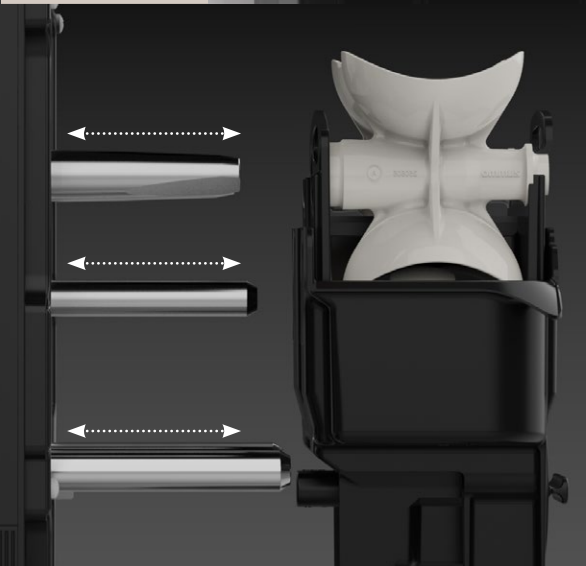


EVS^{ADVANCED}

The purest juice

Smart technology for the perfect juice. The Efficient Vertical System is a unique and exclusive vertical juicing system from Zummo.

Based on manual juicing, the EVS[©] has been designed and developed by Zummo with one goal in mind: to achieve the perfect juice.



EQSTM

Easy cleaning and maintenance

Save time with our Exchange Quick System. In a single movement you can disassemble the squeezing kit. We simplify processes so you can turn your time into profit.



\$ 0.50

\$ 3.50

\$ 2.00

\$ 2.50

\$ 2.50

\$ 2.50

\$ 2.50

\$ 2.50

\$ 0.50

\$ 4.00



Countertop system

Continuous operation

Uninterrupted productivity thanks to the design of our containers. The waste will go directly to the waste area.



Automatic filter

An innovative rotating design guarantees maximum juice quality and purity.





ESPRESSO	4.5
MACCHIATO	5.5
CAPPUCCINO	5.5
LATTE	6.0
TEA	A.O
COLD BREW BOTTLE	6.0



Fruit dispenser

Up to 1.5 kg of fruit in the smallest space. The sloping design makes loading easy and the fruit visible.

Increases the visual appeal in your store and increases the demand for juice.

NEW

Zummo Cloud

Geolocation

Manage your machine fleet in a simple and efficient way.

Productivity metrics

Increase the profitability of your business thanks to the main consumption and performance indicators.

Status indicators

Always know how your juicer is doing to give the best service to your customers and interact with Viva from anywhere to change its status.

Preventive and predictive maintenance

Increase the life of your juicer and the quality of your juice thanks to constant monitoring of the most important parameters.



All in one

Feeder capacity

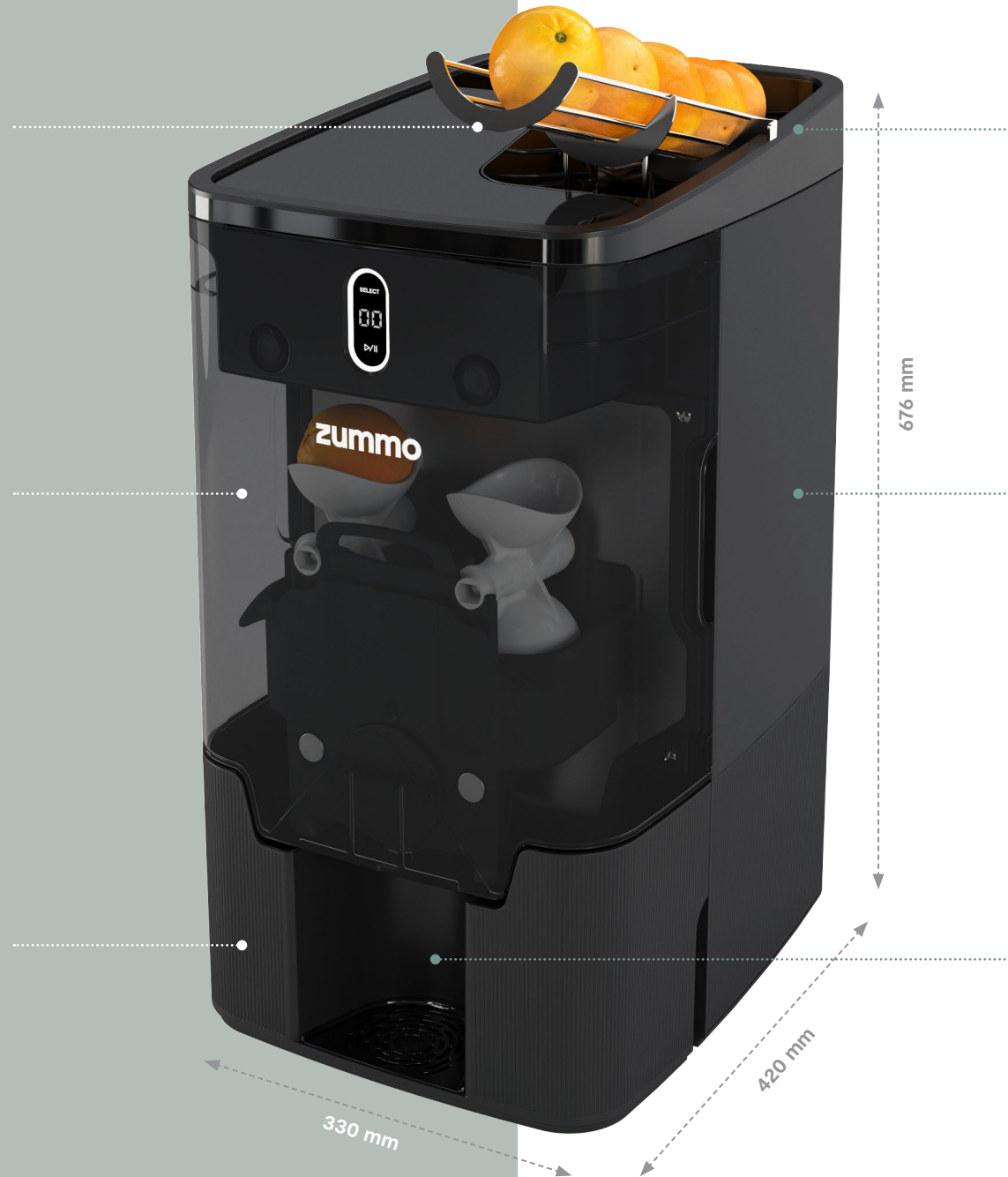
Small on the outside, giant on the inside. Despite its small design, the Viva has a large capacity in the feeder*. **11** oranges, **30** key limes, **20** limes or **11** lemons - save loading times!

Rediscover silence

Keep your premises quiet thanks to our new traction system based on independent motors. This system reduces the mechanical friction between parts and **keeps the noise level to a minimum**

Compact design

Viva is perfect for premises with a small footprint. Thanks to its innovative and compact design, you will be able to offer a magnificent service in a **minimum of space**



Fruits per minute

Save on serving time thanks to the speed of the Viva. **You can squeeze a glass of juice in less than 10 seconds.**

Types of fruit

With Viva you can surprise your customers with endless recipes and mixed drinks. **Squeeze limes, mandarins, oranges, lemons and even key limes.** The choice is yours.

Filling height

With a filling height of up to **140 mm**, the Viva gives you plenty of room for carefree juicing.

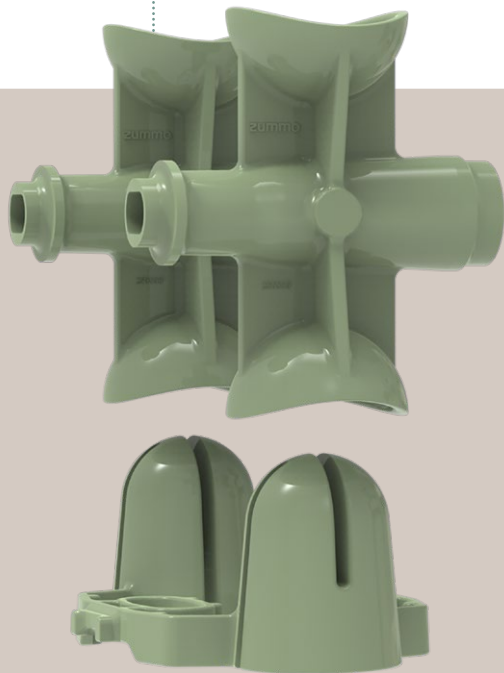
*The number of fruits is calculated on standard sizes. This will be determined by their size which may change during the year

Squeezing kits

Kit XS (Optional)

Ø 30-42mm

 Key Limes



Kit S (Optional)

Ø 43-62mm

 Limes


 Mandarins

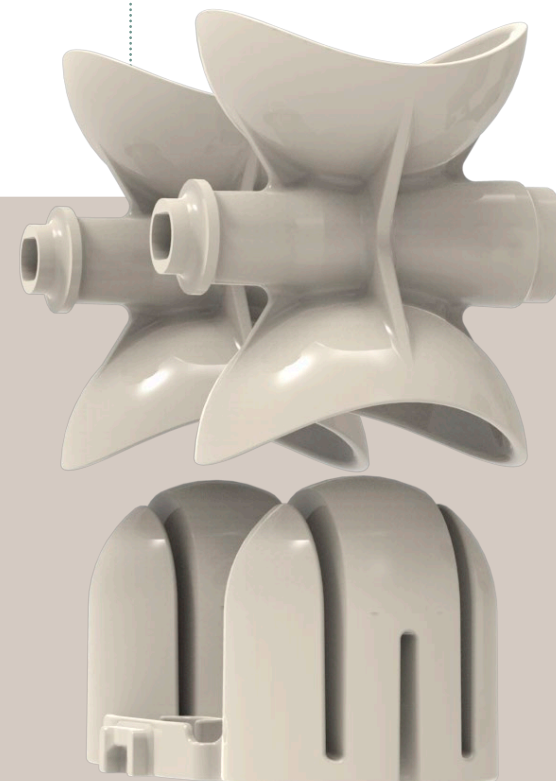


Kit M (Series)

Ø 58-80mm

 Oranges

 Lemons



Squeezing kits

Viva's versatility allows you to squeeze limes, mandarins, oranges, lemons or key limes with ease. Offer an infinite number of services in your business.

Follow the latest trends and surprise your customers.

Características técnicas

Fruits per minute	10
Feeder capacity	1,5 kg
Container capacity	5 l
Squeezing kits	Kit M 58-80 mm / Op. Kit S 43-62 mm / Op. Kit XS 30-42 mm
Dimensions	330 (x) x 676 (y) x 420 (z) mm
Weight	35 kg
IoT	Si
Automatic filter	Si
Modes	Select / Manual
Colours	Smoke
Filling height	140 mm
Voltage	100-240V 50/60Hz
Engine	Motore DC 135W/0,18cv
Consumption	165/200W y 2W in Standby



Up to 5 years warranty with Zummo



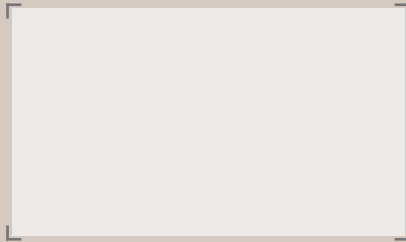
Intertek



More info:



zummo
A FRESH TOUCH



EN

M0306ENEN/23-1