

Fast and  
reliable

TDR 5 Manual

**The Turbo Deli Rotisserie is the fastest original rotisserie in the industry. The TDR's cavity is fed with fresh air, cooking a rotisserie chicken as it is meant to be: crispy and delicious while maintaining an attractive appearance for hours.**

The TDR pushes the air throughout the cavity, resulting in an improved heat transfer on the products. It consumes less electricity during the preparation process. Add to this the improved cooking time and you have the most energy efficient rotisserie and a high output.

The double glass doors create a striking, large display section that maximises your products' visual appeal to customers! It also offers perfect insulation with contact temperatures below 70°C.



## Features TDR 5 Manual

### Top features

- Controls with manual settings
- Easy to operate - set time, temperature and start the rotisserie
- Endless possibilities: poultry (parts), pork roast, ribs, lamb, roast beef, pork belly, meat loaf, porchetta and other proteins

### Standard characteristics

- 5 Meat fork, V-spit, basket or rack positions
- Rotor for up to 20 chickens (1,2 kg)
- Range of accessories available for preparation of chicken, chicken parts, ribs, etc.

### Accessories

- Meat forks (included)
- Multi-purpose baskets
- V-spits
- Chicken racks
- Matching stand on castors
- Door handle set on customer side for pass through operation

### Optional

- Stacked unit
- Pass-through
- Ventless hood



Manual controls



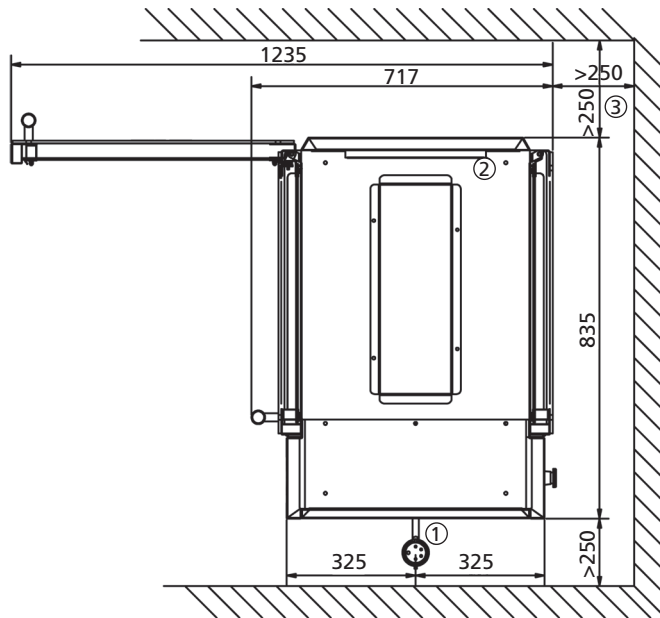
Rotor button on customer side



Ventless hood (optional)



Stacked TDR



## TDR 5 Manual

- 1 Power cable, 2.2 m
- 2 Exhaust opening
- 3 Space to the wall
- 4 Location for socket

### Dimensions TDR 5

Width	835 mm
Depth	717 mm
Depth with hood	853 mm
Height	910 mm
Height on stand	1725 mm
Height with hood	1245 mm

### Technical data TDR 5

Net weight	130 kg
Gross weight	152 kg
Voltage	3N~ 400/230 V
Frequency	50/60 Hz
Power	6.6 kW

### Dimensions TDR 5+5

Width	835 mm
Depth	717 mm
Depth with hood	853 mm
Height	1790 mm
Height with hood	2124 mm

### Technical data TDR 5+5

Net weight	266 kg
Gross weight	306 kg
Voltage	3N~ 400/230 V
Frequency	50/60 Hz
Power	13.2 kW

Specifications and technical data are subject to amendment without prior notice.

These are basic drawings. For more detailed technical information, please refer to the installation manual at [www.frijado.com](http://www.frijado.com).

